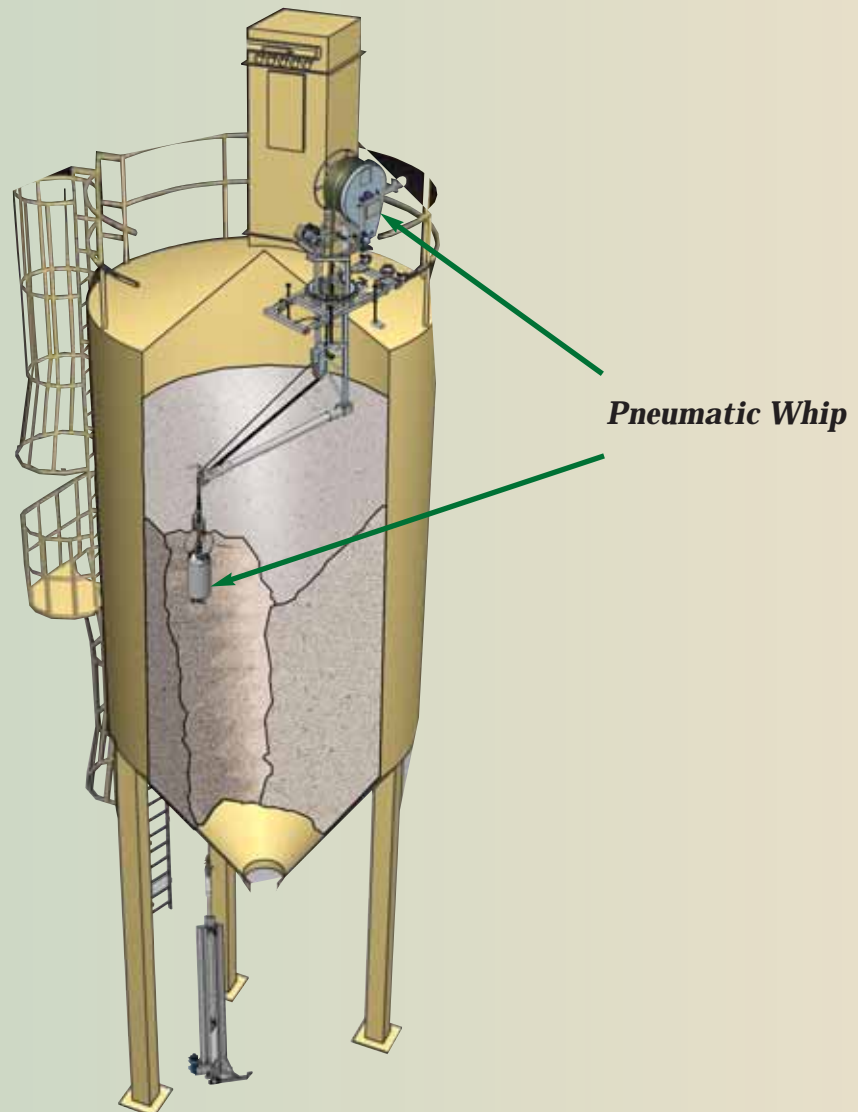


BUILD UP & BLOCKAGE CLEARING OF BINS AND SILOS



BIN AND AND SILO CLEANING SYSTEMS

Models Pneumatic Whip



Bin and Silo Cleaning Technology

P.O. Box 2519 • Bridgeview, IL 60455
708.974.2586 • Fax: 708.974.9429
sales@forcevectorinc.com • www.forcevectorinc.com

BIN AND SILO CLEANING SYSTEMS

PNEUMATIC WHIP

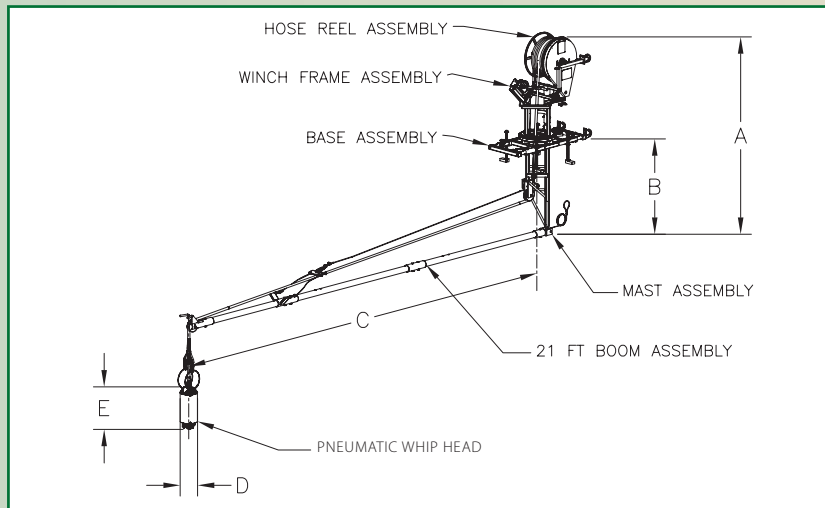
If your work involves keeping silos, storage bins and hoppers working efficiently or you manage cost effectiveness and productivity - you need **the Pneumatic Whip Bin Cleaning System**.

The Pneumatic Whip Bin Cleaning System is the safe alternative for cleaning blocked or compacted silos. It is a completely portable, remote-controlled tool that can be lowered into storage containers through a manhole opening. Powered by compressed air, the patented Gyro motor uses a variety of whips and cutting edges to knock down even the toughest materials without damaging the walls of the storage bins.

FEATURES:

- Eliminates blockages and hang-ups or build-ups – *faster, easier, and safely.*
- Knocks down solidly compacted materials no matter how difficult or dangerous.
- Within 20 minutes you can assemble and start the cleaning process.
- Easily accomplished by only 2 men.
- Portable/moves easily for use on various sizes and shapes of bins.
- When unexpected blockages occur, the equipment can be put into action immediately.
- Never a need to send a man inside a bin risking injury, burial, suffocation or fatality.
- Power requirements are low and simple.
- Used world-wide on large or small problems for: Grain and Feed, Cement, Mining, Chemical, and Pulp and Paper Industries.

SPECIFICATIONS



Pneumatic Whip Bin and Silo Cleaning System	Minimum Requirements				A		B		C		D		E		Weight	
	Pressure		Volume		ft	m	ft	m	ft	m	in	cm	in	cm	lbs	kg
	psi	bars	cfm	l/min												
Pneumatic Whip	85	5.8	100	2832	–	–	–	–	–	–	8.625	22.00	22	56.00	77	35
Standard Positioning Boom w/150 ft of Hose	–	–	–	–	8'-6.8"	2.61	3'-11.8"	1.22	20'-5.9"	6.25	–	–	–	–	411	187

Note: Preferred manhole size to be a minimum of 18 in. (46 cm) square or 19 in. (48 cm) round. If manholes are smaller please notify Deca Vibrator.

PREVENTS:

- **High cost of material blockages**
- **Injury and fatality due to workers entering the container**
- **Container damage**
- **Loss of inventory - contamination or infestation**
- **Reduced storage capacities**

BENEFITS:

- **Cost effective**
- **Portable**
- **Flexible**
- **Reliable**
- **Fast and easy to use**
- **Safe**

P.O. Box 2519 • Bridgeview, IL 60455
708.974.2586 • Fax: 708.974.9429
sales@forcevectorinc.com • www.forcevectorinc.com

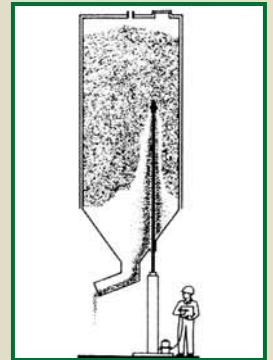
BIN AND SILO CLEANING SYSTEMS

POWER LANCE

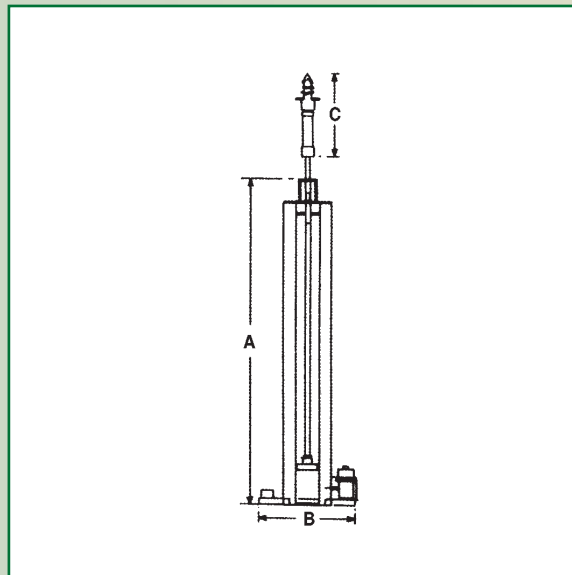
The Power Lance Drill can be used in conjunction with the Pneumatic Whip.

This drill creates the hole from the base of the storage container when completely blocked. Attacking the bridge from underneath, allows material to fall away from the Drill-Head as it cuts requiring less power than drilling from the top.

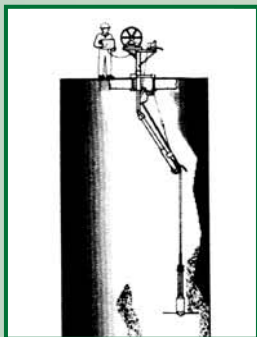
Since many bridges are only solid in the lower portion of the bin, this drilling method allows the loose material to flow through the hole in the base instead of drilling through the full height of the silo. **The Power Lance** is driven by compressed air and is remotely controlled. Drilling can be carried out to heights of 36m (120 ft).



SPECIFICATIONS



	Minimum Requirements				A		B		C		Weight					
	Pressure		Volume		ft	m	ft	m	ft	m	Frame		Drill Head		5 ft Drill Pipe	
	psi	bars	cfm	l/min							lbs	kg	lbs	kg	lbs	kg
Power Lance	85	5.8	45	1274	7.125	2.172	2	0.610	1.83	0.562	160	72.5	12	5.5	13.5	6.0



CLEANING PROGRAM

A regularly planned bin cleaning program can prevent a minor problem from becoming a major one... but also can prevent contamination and infestation.

The Pneumatic Whip is sold as a total package. There are no extra components needed or hidden installation charges. The customer is only required to supply the compressed air that runs the equipment.

Contact us for an analysis of your needs and equipment recommendations.



P.O. Box 2519 • Bridgeview, IL 60455

708.974.2586 • Fax: 708.974.9429

sales@forcevectorinc.com • www.forcevectorinc.com