



DECA VIBRATOR

Division of DECA Products, Inc.

ROTARY PNEUMATIC TURBINE VIBRATORS

Model DTV Series



Vibration Technology

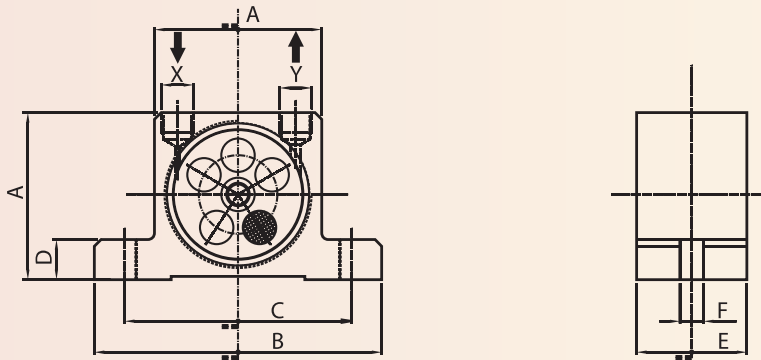
DTV Series Vibration Technology

Deca's DTV Series Rotary Pneumatic Turbine Vibrators combine high frequencies with high centrifugal forces at large amplitudes. These vibrators operate lubrication-free with filtered compressed air. They do not require any maintenance and they are successfully used as flow aids on bins, hoppers and chutes, as drives for screens, and on vibration tables.

Vibration with the DTV Series is generated by a turbine with integrated flyweights which rotates on two oversized ball bearings. The vibrators have a high work moment and develop high vibration frequencies and centrifugal forces. Vibration presents a large amplitude even with low operating pressure.

Technical Data

Model	2 BAR - 29 PSI						4 BAR - 58 PSI						6 BAR - 87 PSI					
	Vibration V/min	Force			Air consump.		Vibration V/min	Force			Air consump.		Vibration V/min	Force			Air consump.	
	N	Kg	lb	L/min	Cfm		N	Kg	lb	L/min	Cfm		N	Kg	lb	L/min	Cfm	
DTV-8	34,000	1076	110	242	45	1.6	38,000	2006	205	451	81	2.8	42,000	2851	291	641	110	3.9
DTV-10	26,000	1028	105	231	45	1.6	33,000	1677	171	377	81	2.8	38,000	2464	251	554	110	3.9
DTV-10S	17,200	707	72	159	45	1.6	23,400	1437	147	323	81	2.8	26,000	1824	186	410	110	3.9
DTV-13	24,500	1975	202	444	122	4.3	28,500	2576	263	579	204	7.2	31,000	2931	299	659	285	10.0
DTV-16	18,000	1899	194	427	122	4.3	20,000	2344	239	527	204	7.2	21,000	2584	264	581	285	10.0
DTV-16S	11,500	1268	129	285	122	4.3	15,000	1917	195	431	204	7.2	17,500	2295	234	516	285	10.0
DTV-20	14,500	2455	251	552	184	6.5	19,000	3950	403	888	318	11.2	23,000	5147	525	1157	452	15.9
DTV-25	13,200	2389	244	537	184	6.5	15,500	3292	336	740	318	11.2	17,000	4969	507	1117	452	15.9
DTV-25S	9,000	2095	214	471	184	6.5	11,000	3283	335	738	318	11.2	13,500	4728	482	1063	452	15.9
DTV-30	11,000	3430	351	771	322	11.3	12,500	7055	719	1586	542	19.0	14,500	7642	779	1718	749	26.3
DTV-36	85,000	3341	341	751	322	11.3	11,500	6832	697	1536	542	19.0	12,000	7331	748	1648	749	26.3
DTV-36S	6,000	3972	406	893	322	11.3	7,000	6913	705	1554	542	19.0	8,500	7384	753	1660	749	26.3



For activation a 2/2 way electrovalve on/off valve and filtered compressed air are required.

Overall Dimensions

Model	A		B		C		D		E		F		X, Y	Weight	
	mm	in	mm	in	mm	in	mm	in	mm	in	mm	in		Kg	lb
DTV-8	50	1.97	86	3.39	68	2.68	12	0.47	33	1.30	7	0.28	1/8"	0.250	0.55
DTV-10														0.255	0.56
DTV-10S														0.263	0.58
DTV-13	65	2.56	113	4.45	90	3.54	16	0.63	42	1.65	9	0.35	1/4"	0.565	1.25
DTV-16														0.580	1.28
DTV-16S														0.614	1.35
DTV-20	80	3.15	128	5.04	104	4.09	16	0.63	56	2.20	9	0.35	1/4"	1.090	2.40
DTV-25														1.120	2.47
DTV-25S														1.200	2.65
DTV-30	100	3.94	160	6.30	130	5.12	20	0.79	73	2.87	11	0.43	3/8"	2.200	4.85
DTV-36														2.300	5.07
DTV-36S														2.530	5.58

Features & Benefits

- Operating temperature from -20°C (-4° F) to 121°C (250° F)
- Lubrication-free operation
- Explosion-proof
- Maintenance-free
- Great acceleration
- High centrifugal force
- Low noise level
- Low air consumption
- Standard ATEX ExII3D certified



DECA
VIBRATOR
Division of DECA Products, Inc.

8/07

P.O. Box 1286 • Bridgeview, Illinois 60455-0286
(708) 974-9422 • Fax (708) 974-9429
1-866-384-3788

Website: www.decavibrator.com • Email: sales@decavibrator.com
SPECIFICATIONS SUBJECT TO CHANGE