

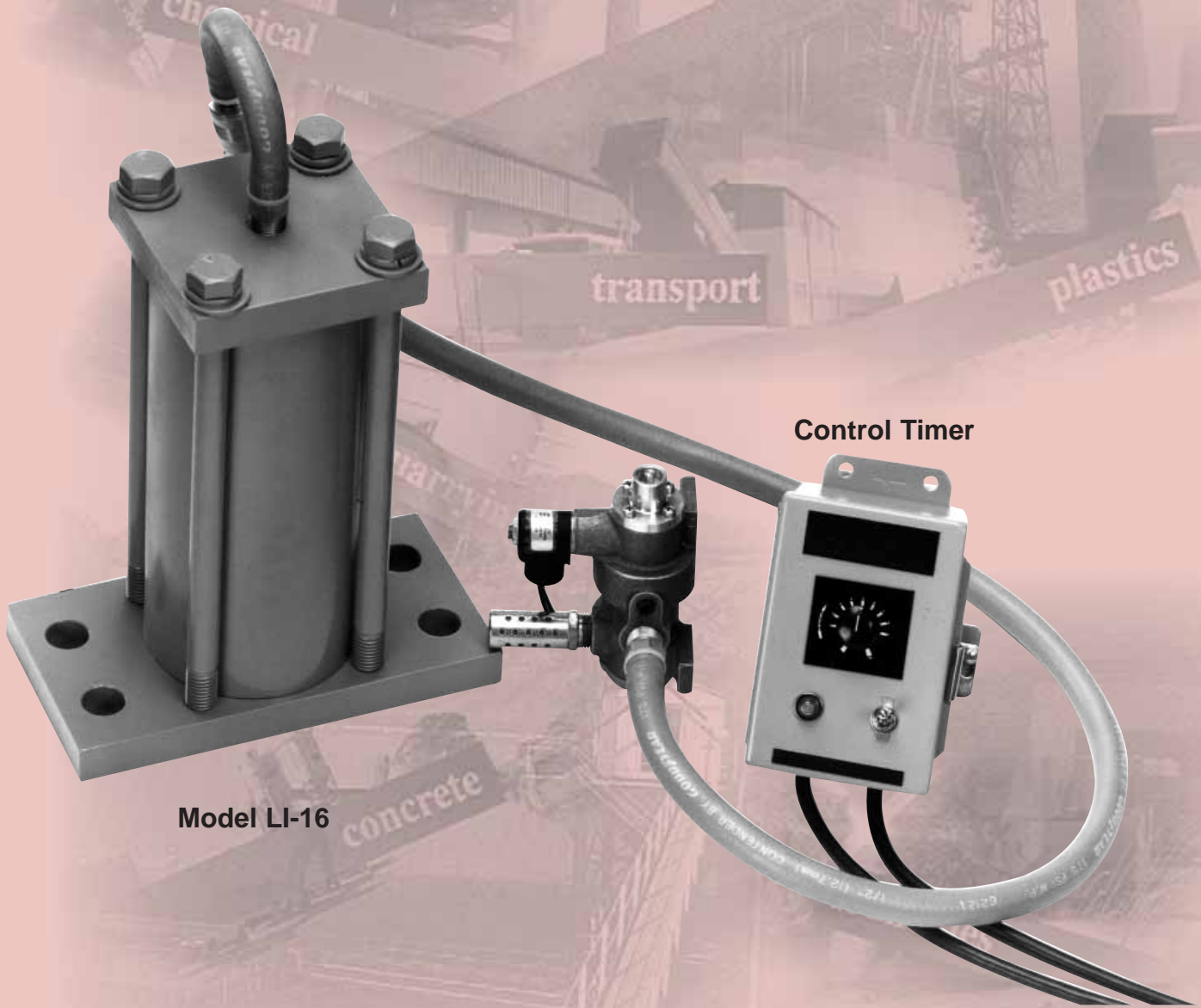


DECA VIBRATOR

Division of DECA Products, Inc.

PNEUMATIC PISTON VIBRATORS

Model LI High Energy Impactors



Model LI-16

Control Timer

Vibration Technology

PNEUMATIC PISTON VIBRATORS



Model LI-16 Shown with Installation & Operation Kit (includes: solenoid, hose assembly, mount channel, bolts, washers, nuts)

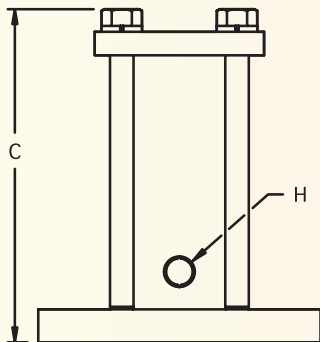
CONSTRUCTION AND OPERATION

Deca High Energy Impactors are available in four sizes and feature an adjustable force that is regulated by controlling the air pressure from 10 to 80 psi. High Energy Impactors are most effective on sticky material because they are less likely to cause packing. These units make less noise and consume less air than standard piston vibrators because they do not run continuously. A timer, push button or Programmable Logic Controller, or any device capable of energizing a 3-way solenoid valve can activate High Energy Impactors.



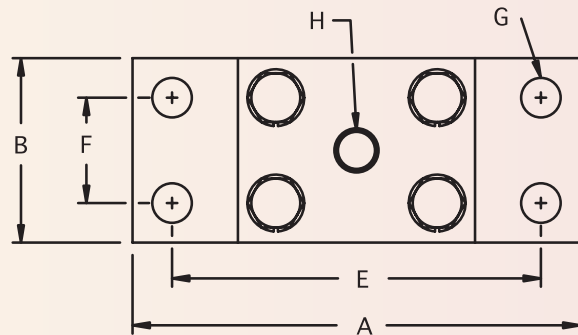
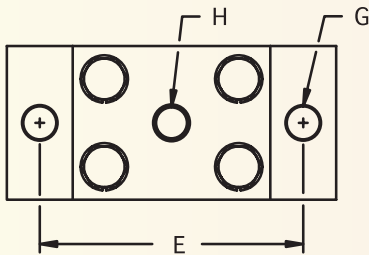
CONTROL TIMER

The Model TI-2 timed impact controller provides fully automated control of one or more LI High Energy Impactors. This is the most efficient means of uninterrupted production at a reduced labor cost. The solid-state control timer can be remotely located for operator convenience. Dimensions: 4-1/2" wide, 3-1/2" deep, 6" high, 115 volts. The part number for the control timer is found on page 3.



Performance

MODEL	SIZE	KINETIC ENERGY AT 80 PSI	PULSE RATE/MIN MIN/MAX	AIR CONSUMPTION AT 80 PSI	
				CU.FT./STROKE	CU.FT./MIN
LI-10	1-1/4"	14 FT. LBS.	14/172	0.014	2.80
LI-16	2"	48 FT. LBS.	14/172	0.019	3.04
LI-24	3"	98 FT. LBS.	14/172	0.049	5.39
LI-32	4"	252 FT. LBS.	14/172	0.110	6.60



Dimensions

MODEL	PISTON DIA	LENGTH	WIDTH	HEIGHT	BASE THK	CC BOLT	CC BOLT	BOLT DIA.	INLET PORT	WEIGHT LBS.
		A	B	C	D	E	F	G	H	
LI-10	1-1/4"	6"	2-1/2"	8-9/16"	3/4"	4-1/2"	--	1/2"	3/8"	18.0
LI-16	2"	7-1/2"	3-1/2"	8-7/8"	7/8"	6"	--	5/8"	1/2"	24.0
LI-24	3"	10-1/2"	4-1/2"	13-1/4"	1"	8-7/16"	2-1/2"	5/8"	1/2"	58.0
LI-32	4"	10-1/2"	5-1/2"	13-1/4"	1"	8-7/16"	2-1/2"	7/8"	1/2"	74.0

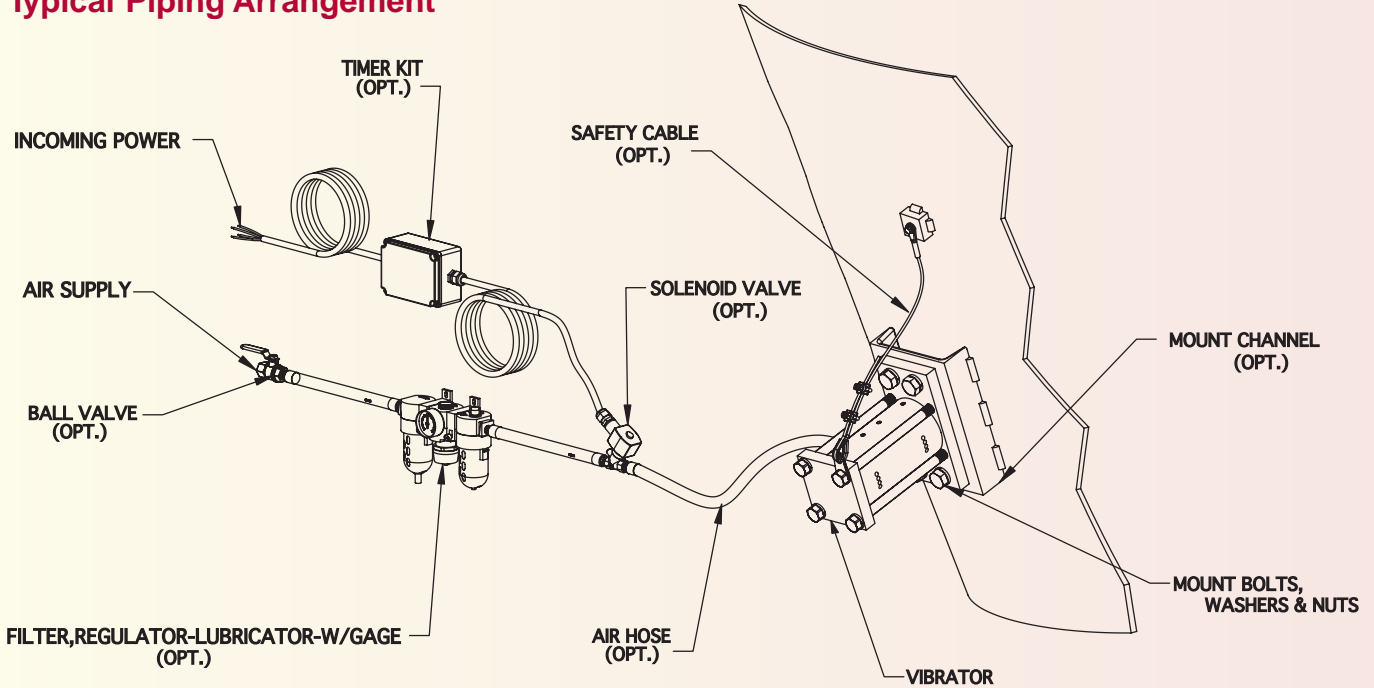


DECA VIBRATOR

Division of DECA Products, Inc.

PNEUMATIC PISTON VIBRATORS

Typical Piping Arrangement



ACCESSORIES

MODEL	PISTON DIA	INSTALLATION/ OPERATION KIT (1)	MOUNTING KIT (2)	SAFETY CABLE ASSY (3)	HOSE SIZE	HOSE ASSY (4)	HOSE BY FOOT	SOLENOID VALVE	F-R-L (5)	TIMER (6)	BALL VALVE
LI-10	1-1/4"	891250	891001	220316	1/2"	891300	605005	891200	601022	891500	606004
LI-16	2"	891251	891002	220316	1/2"	891301	605005	891201	601064	891500	606004
LI-24	3"	891252	891003	220317	1/2"	891301	605005	891201	601064	891500	606009
LI-32	4"	891253	891004	220317	1/2"	891301	605005	891201	601064	891500	606009

- (1) **Installation kit includes:** solenoid hose assembly, mount channel, bolts, washers, nuts.
- (2) **Mounting kit includes:** mounting channel, bolts, washers, nuts.
- (3) **Safety cable assembly includes:** cable 77" lg., clips, thimble, bolt, washer & weld plate.
- (4) **Hose assembly includes:** hose (order per foot length) male NPT fittings either end.
(LI units include quick connect).
- (5) **F-R-L includes:** filter-regulator-lubricator assembly with gage & mount.
- (6) **Timer:** 891500 has a pulse rate of 14 to 172 blows per minute.



DECA
VIBRATOR
Division of DECA Products, Inc.

9/07

P.O. Box 1286 • Bridgeview, Illinois 60455-0286

(708) 974-9422 • Fax (708) 974-9429

1-866-384-3788

Website: www.decavibrator.com • Email: sales@decavibrator.com

SPECIFICATIONS SUBJECT TO CHANGE