



DECA VIBRATOR

Division of DECA Products, Inc.

PNEUMATIC NATURAL FREQUENCY FEEDERS

Model DNFF & DNFC



The DECA pneumatic natural frequency feeders and conveyors Models DNFF and DNFC are designed to transport a wide range of materials over distances from 1 meter to 25 meters. The low frequency high amplitude operation is particularly suitable for conveying the normally difficult to move materials on vibratory equipment such as those with low density and large mass.

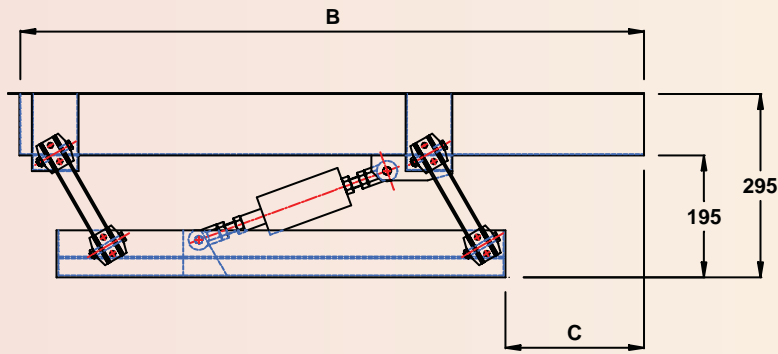
Due to the lower operating frequency, the troughs can be lighter and less rigid than conventional designs. Generally a simple 'U' shape design is all that is required using 16 gauge mild steel or stainless steel sheet. The troughs can be open or totally enclosed and are supported by special fiber glass leaf springs. These are chosen from a pre-selected range for each individual feeder or conveyor, thus ensuring that resonance occurs at the operating frequency.

The power required from the vibrator to drive the units at resonance is minimal and most economic in air consumption. The operating frequency of approximately 600 VPM is developed by the DECA pneumatic linear vibrator series POV. They are robust in construction and extremely quiet in operation. Adjustments to frequency and amplitude can be regulated independently.

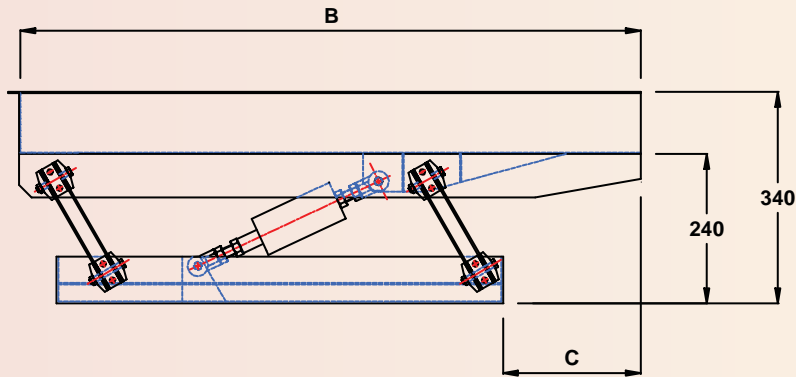
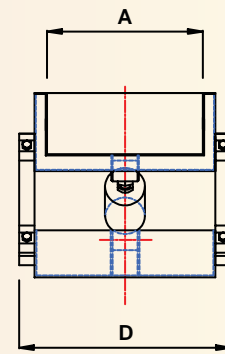
Feeders Model DNFF can be supplied from 1 meter to 2 meters in length, free standing if used with a heavy base on rubber feet or for attaching directly to solidly fixed structures. See overleaf for standard range.

Conveyors Model DNFC are from 2 meters to 25 meters in length, up to 500 mm wide. These must be bolted firmly to the floor via a framework or angle supports.

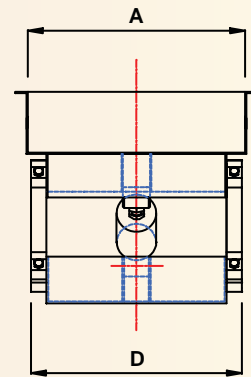
Vibration Technology



STYLE 'X'



STYLE 'Y'



TECHNICAL GUIDE TO DNFF FEEDERS - Other sizes and DNFC models quoted on request.

Model	Style	A		B		C max.		D		Linear Vibrator	Air Usage @ 90 PSI		Tons/Hr
		mm	in	mm	in	mm	in	mm	in		Lt/min	Cfm	
DNFF-10/15	X	150	6	1000	39	250	10	240	9	POV-165	45	1.6	8.6
DNFF-10/25	Y	250	10	1000	39	250	10	240	9	POV-255	120	4.2	14.4
DNFF-10/35	Y	350	14	1000	39	250	10	240	9	POV-255	120	4.2	20.2
DNFF-15/15	X	150	6	1500	59	450	18	240	9	POV-255	120	4.2	8.6
DNFF-15/25	Y	250	10	1500	59	450	18	240	9	POV-255	120	4.2	14.4
DNFF-15/35	Y	350	14	1500	59	450	18	240	9	POV-405	300	10.5	20.2
DNFF-20/15	X	150	6	2000	79	550	22	240	9	POV-255	120	4.2	8.6
DNFF-20/25	Y	250	10	2000	79	550	22	240	9	POV-405	300	10.5	14.4
DNFF-20/35	Y	350	14	2000	79	550	22	240	9	POV-405	300	10.5	20.2

Feed Rate based on dry sand weighing 1600 kg/M³ (100 lbs./cu.ft.).

